

## CE090/120 Condensing Unit

CE072-5T  
CE090-3  
CE090-3A  
CE090-3T  
CE090-4  
CE090-4A  
CE090-4T  
CE090-5  
CE090-5B  
CE090-5A  
CE090-5T  
CE090-B  
CE120-3  
CE120-3A  
CE120-3T  
CE120-4  
CE120-4A  
CE120-4T  
CE120-5  
CE120-5B  
CE120-5A  
CE120-5T



This manual is to be used by qualified technicians only.

This manual replaces all revisions of RP-170.

© 1993-2008 Goodman Manufacturing Company, L.P. ♦ 5151 San Felipe, Suite 500 ♦ Houston, TX 77056

# Important Information

---

## Index

Functional Parts List .....	3
Illustration and Parts .....	4 - 5

*Views shown are for parts illustrations only, not servicing procedures.*

06/12/09: Corrected description of ZR94KCTF5950. Changed from "460/60/3" to "208/230/3"

### Text Codes:

AR - As Required

NA - Not Available

NS - Not Shown

00000000 - See Note

QTY - Quantity Example (QTY 3) (If Quantity not shown, Quantity = 1)

M - Model Example (M1) (If M Code not shown, then part is used on all Models)

### Expanded Model Nomenclature:

Example M1 - Model#1 M2 - Model#2 M3 - Model#3
---

Goodman Manufacturing Company, L.P. is not responsible for personal injury or property damage resulting from improper service. Review all service information before beginning repairs.

Warranty service must be performed by an authorized technician, using authorized factory parts. If service is required after the warranty expires, Goodman Manufacturing Company, L.P. also recommends contacting an authorized technician and using authorized factory parts.

Goodman Manufacturing Company, L.P. reserves the right to discontinue, or change at any time, specifications or designs without notice or without incurring obligations.

For assistance within the U.S.A. contact:  
Consumer Affairs Department  
Goodman Manufacturing Company, L.P.  
7401 Security Way  
Houston, Texas 77040  
877-254-4729-Telephone  
713-863-2382-Facsimile

For assistance outside the U.S.A. contact:  
International Division  
Goodman Manufacturing Company, L.P.  
7401 Security Way  
Houston, Texas 77040  
713-861-2500-Telephone  
713-863-2382-Facsimile

# Functional Parts

## Part

## No: Description:

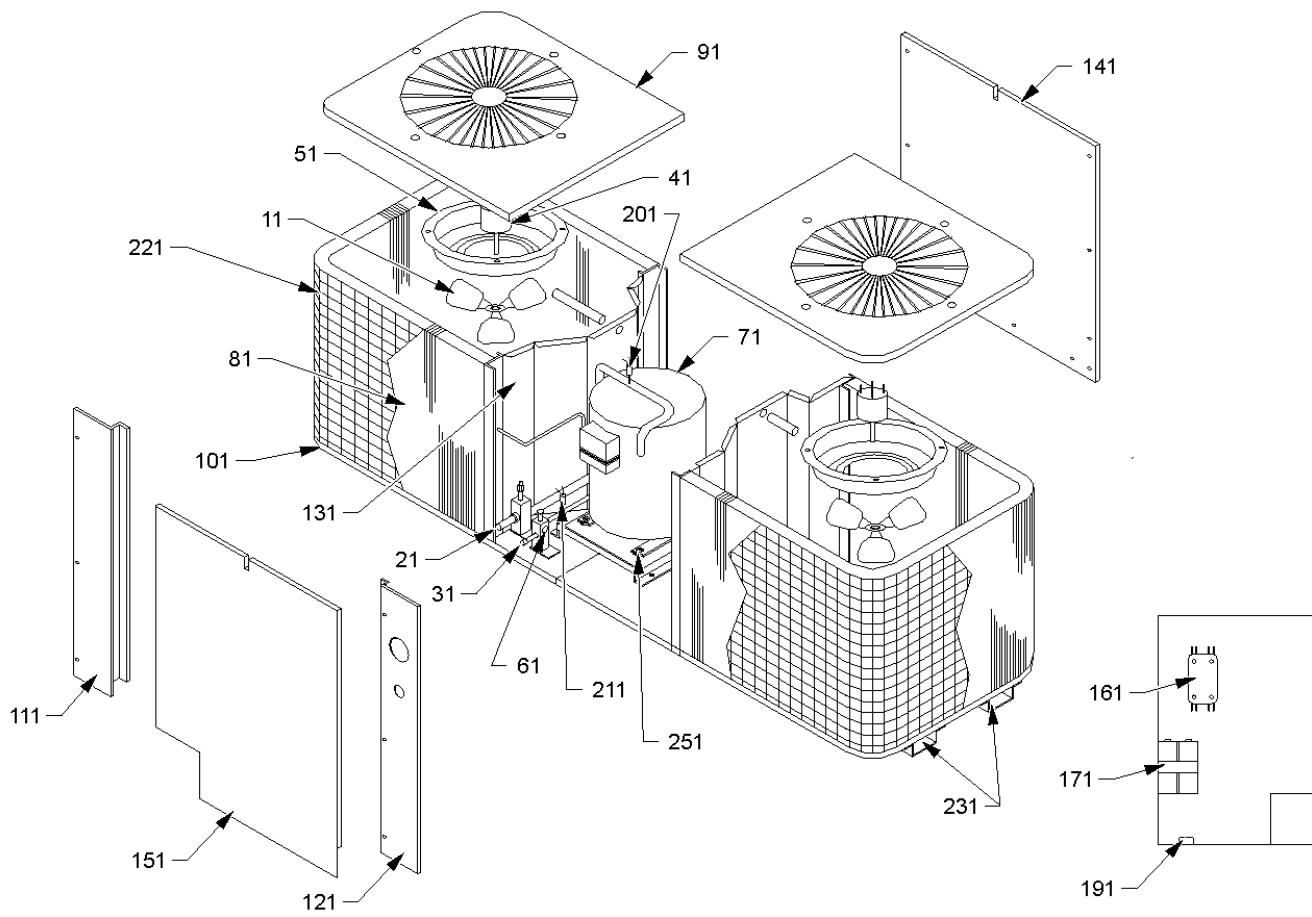
## Expanded Model Nomenclature

CAP050000370VAS	CAPACITOR 5/370V (QTY 2)	M1 - CE072-5T
ZR125KCTF5950	COMPRESSOR 128000, 200/230/60/3 (M12, M13)	M2 - CE090-3
ZR125KCTFD950	COMPRESSOR 128000, 460/60/3 (M15, M16, M17, M18, M19, M20)	M3 - CE090-3A
B9266700	COMPRESSOR 208/230/60/3 (OBSOLETE) (M4)	M4 - CE090-3T
B9266706	COMPRESSOR 208/230/60/3 (OBSOLETE) (M14)	M5 - CE090-4
B9266703	COMPRESSOR 460/60/3 (OBSOLETE) (M10)	M6 - CE090-4A
B9266705	COMPRESSOR 460/60/3 (OBSOLETE) (M21)	M7 - CE090-4T
ZR94KCTF5950	COMPRESSOR 96500, 208/230/3 (M2, M3)	M8 - CE090-5
ZR94KCTFD950	COMPRESSOR 96500, 460/60/3 (M1, M5, M6, M7, M8, M9, M11)	M9 - CE090-5A
0131M00008PS	COND MOTOR 1/3 HP, 1 SP, 6 PL - (QTY 2) (M12, M13, M14)	M10 - CE090-5T
B13400249S	COND MOTOR 1/3 HP, 460V - (QTY 2) (M5, M6, M8, M9, M10, M11, M15, M16, M17, M18, M19, M20, M21)	M11 - CE090-B
B13400247S	COND MOTOR 1/4 HP, 1 SP - (QTY 2) (M4)	M12 - CE120-3
B13400269S	COND MOTOR 380/460 50/60 CYCLE - (QTY 2) (M1, M7)	M13 - CE120-3A
CONT3P040024VS	CONTACTOR 40 AMP, 3P, 240V	M14 - CE120-3T
B1243749	CRANKCASE HEATER, 240 VOLTS (M2, M3, M12, M13)	M15 - CE120-4
B1243732	CRANKCASE HEATER, 460 VOLTS (M5, M6, M8, M9, M11, M15, M16, M18, M19, M20)	M16 - CE120-4A
B1360713	HIGH PRESSURE SWITCH	M17 - CE120-4T
B1360717	LOW PRESSURE SWITCH	M18 - CE120-5
B1370117	MILD AMBIENT CONTROL	M19 - CE120-5A
		M20 - CE120-5B
		M21 - CE120-5T

## SPECIAL PARTS

IO-139B	INSTALLATION INSTRUCTIONS
RP-170P	REPAIR PARTS MANUAL

# Replacement Parts List



# Replacement Parts List

Ref. Part No:	No:	Description:	Ref. Part No:	No:	Description:
<i>Image 1:</i>			151	1723707PDG	ACCESS PANEL (M11, M20)
11	B1086750S	FAN BLADE 22" 24° - (QTY 2) (M1, M2, M3, M4, M5, M6, M7)	151	1723707P	ACCESS PANEL (OBSOLETE) (M1, M2, M3, M4, M5, M6, M7, M8, M9, M10, M12, M13, M14, M15, M16, M17, M18, M19, M21)
11	B1086748S	FAN BLADE 22" 30° - (QTY 2) (M8, M9, M10, M11, M12, M13, M14, M15, M16, M17, M18, M19, M20, M21)	161	CONT3P040024VS	CONTACTOR 40 AMP, 3P, 240V
21	B1282545	1 1/8" SERVICE VALVE	171	CAP050000370VAS	CAPACITOR 5/370V (QTY 2)
31	B1282573	5/8" SERVICE VALVE	191	B1370117	MILD AMBIENT CONTROL
41	0131M00008PS	COND MOTOR 1/3 HP, 1 SP, 6 PL - (QTY 2) (M12, M13, M14)	201	B1360717	LOW PRESSURE SWITCH
41	B13400249S	COND MOTOR 1/3 HP, 460V - (QTY 2) (M5, M6, M8, M9, M10, M11, M15, M16, M17, M18, M19, M20, M21)	211	B1360713	HIGH PRESSURE SWITCH
41	B13400247S	COND MOTOR 1/4 HP, 1 SP - (QTY 2) (M4)	221	B1259432	INLET GRILLE (QTY 2)
41	0131M00007PS	COND MOTOR 1/4 HP, 1 SP, 8 PL - (QTY 2) (M2, M3)	231	1779705	BOTTOM PAN CHANNEL (OBSOLETE) (QTY 2)
41	B13400269S	COND MOTOR 380/460 50/60 CYCLE - (QTY 2) (M1, M7)	251	B1339539	COMPRESSOR GROMMET (QTY 4)
51	1787811	VENTURI RING - (QTY 2) (M1)	NS	B1243749	CRANKCASE HEATER, 240 VOLTS (M2, M3, M12, M13)
61	B1787000	VALVE CORE	NS	B1243732	CRANKCASE HEATER, 460 VOLTS (M5, M6, M8, M9, M11, M15, M16, M18, M19, M20)
71	ZR125KCTF5950	COMPRESSOR 128000, 200/230/60/3 (M12, M13)	NS	B1219221	FILTER DRIER
71	ZR125KCTFD950	COMPRESSOR 128000, 460/60/3 (M15, M16, M17, M18, M19, M20)	NS	B1372801	SIGHT GLASS
71	B9266700	COMPRESSOR 208/230/60/3 (OBSOLETE) (M4)	<b>Expanded Model Nomenclature</b>		
71	B9266706	COMPRESSOR 208/230/60/3 (OBSOLETE) (M14)	M1 - CE072-5T		
71	B9266703	COMPRESSOR 460/60/3 (OBSOLETE) (M10)	M2 - CE090-3		
71	B9266705	COMPRESSOR 460/60/3 (OBSOLETE) (M21)	M3 - CE090-3A		
71	ZR94KCTF5950	COMPRESSOR 96500, 208/230/3 (M2, M3)	M4 - CE090-3T		
71	ZR94KCTFD950	COMPRESSOR 96500, 460/60/3 (M1, M5, M6, M7, M8, M9, M11)	M5 - CE090-4		
81	1262310	TUBING ASSY, COND COIL (QTY 2)	M6 - CE090-4A		
91	1779404P	TOP PANEL (BAHAMA BEIGE) (OBSOLETE) - (QTY 2) (M1, M2, M3, M4, M5, M6, M7, M8, M9, M10, M12, M13, M14, M15, M16, M17, M18, M19, M21)	M7 - CE090-4T		
91	1779404PDG	TOP PANEL (DARK GRAY) (OBSOLETE) - (QTY 2) (M11, M20)	M8 - CE090-5		
101	1779106P	BOTTOM PAN (BAHAMA BEIGE) (M1, M2, M3, M4, M5, M6, M7, M8, M9, M10, M12, M13, M14, M15, M16, M17, M18, M19, M21)	M9 - CE090-5A		
101	1779106PDG	BOTTOM PAN (DARK GRAY) (M11, M20)	M10 - CE090-5T		
111	1723705P	LEFT SIDE PANEL (BAHAMA BEIGE) (M1, M2, M3, M4, M5, M6, M7, M8, M9, M10, M12, M13, M14, M15, M16, M17, M18, M19, M20)	M11 - CE090-B		
111	1723705PDG	LEFT SIDE PANEL (DARK GRAY) (M11, M20)	M12 - CE120-3		
121	1723706P	RIGHT SIDE PANEL (BAHAMA BEIGE) (OBSOLETE) (M1, M2, M3, M4, M5, M6, M7, M8, M9, M10, M12, M13, M14, M15, M16, M17, M18, M19, M21)	M13 - CE120-3A		
121	1723706PDG	RIGHT SIDE PANEL (DARK GRAY) (M11, M20)	M14 - CE120-3T		
131	1779532	PARTITION PANEL (QTY 2)	M15 - CE120-4		
141	1723708P	REAR PANEL (BAHAMA BEIGE) (OBSOLETE) (M1, M2, M3, M4, M5, M6, M7, M8, M9, M10, M12, M13, M14, M15, M16, M17, M18, M19, M21)	M16 - CE120-4A		
141	1723708PDG	REAR PANEL (DARK GRAY) (M11, M20)	M17 - CE120-4T		
			M18 - CE120-5		
			M19 - CE120-5A		
			M20 - CE120-5B		
			M21 - CE120-5T		

